

# Hi-MO 6

Explorer

## LR5-54HTB 410~425M

- Suitable for distributed projects
- Excellent outdoor power generation performance
- Aesthetic appearance with all black module design

**15** 15-year Warranty for  
Materials and Processing

**25** 25-year Warranty for Extra  
Linear Power Output

### Complete System and Product Certifications

IEC 61215, IEC 61730, UL 61730

ISO9001:2015: ISO Quality Management System

ISO14001: 2015: ISO Environment Management System

ISO45001: 2018: Occupational Health and Safety

IEC62941: Guideline for module design qualification and type approval

**LONGI**



**21.8%**  
MAX MODULE  
EFFICIENCY

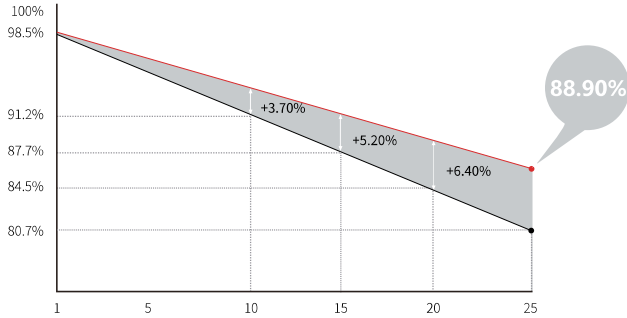
**0~3%**  
POWER  
TOLERANCE

**<1.5%**  
FIRST YEAR  
POWER DEGRADATION

**0.40%**  
YEAR 2-25  
POWER DEGRADATION

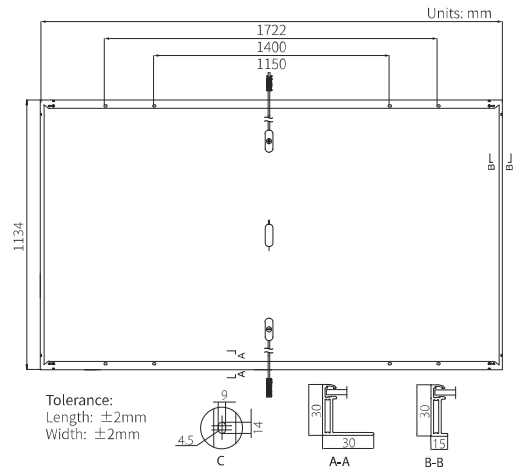
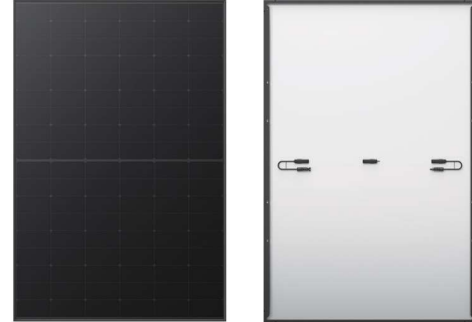
## Additional Value

### 25-Year Power Warranty



## Mechanical Parameters

|                  |                                                          |
|------------------|----------------------------------------------------------|
| Cell Orientation | 108 (6×18)                                               |
| Junction Box     | IP68, three diodes                                       |
| Output Cable     | 4mm <sup>2</sup> , 1200mm                                |
| Connector        | MC4 EVO2                                                 |
| Glass            | Single glass, 3.2mm coated tempered glass                |
| Frame            | Anodized aluminum alloy frame                            |
| Weight           | 20.8kg                                                   |
| Dimension        | 1722×1134×30mm                                           |
| Packaging        | 36pcs per pallet / 216pcs per 20' GP / 936pcs per 40' HC |



## Electrical Characteristics

STC : AM1.5 1000W/m<sup>2</sup> 25°C

NOCT : AM1.5 800W/m<sup>2</sup> 20°C 1m/s

Test uncertainty for Pmax: ±3%

| Module Type                      | LR5-54HTB-410M |       | LR5-54HTB-415M |       | LR5-54HTB-420M |       | LR5-54HTB-425M |       |
|----------------------------------|----------------|-------|----------------|-------|----------------|-------|----------------|-------|
|                                  | STC            | NOCT  | STC            | NOCT  | STC            | NOCT  | STC            | NOCT  |
| Maximum Power (Pmax/W)           | 410            | 306   | 415            | 310   | 420            | 314   | 425            | 318   |
| Open Circuit Voltage (Voc/V)     | 38.63          | 36.27 | 38.83          | 36.46 | 39.03          | 36.65 | 39.23          | 36.83 |
| Short Circuit Current (Isc/A)    | 13.70          | 11.07 | 13.78          | 11.13 | 13.85          | 11.19 | 13.93          | 11.25 |
| Voltage at Maximum Power (Vmp/V) | 32.36          | 29.53 | 32.56          | 29.71 | 32.76          | 29.89 | 32.96          | 30.08 |
| Current at Maximum Power (Imp/A) | 12.67          | 10.37 | 12.75          | 10.44 | 12.83          | 10.50 | 12.90          | 10.56 |
| Module Efficiency(%)             | 21.0           |       | 21.3           |       | 21.5           |       | 21.8           |       |

## Operating Parameters

|                                    |                               |
|------------------------------------|-------------------------------|
| Operational Temperature            | -40°C ~ +85°C                 |
| Power Output Tolerance             | 0 ~ 3%                        |
| Voc and Isc Tolerance              | ±3%                           |
| Maximum System Voltage             | DC1500V (IEC/UL)              |
| Maximum Series Fuse Rating         | 25A                           |
| Nominal Operating Cell Temperature | 45±2°C                        |
| Protection Class                   | Class II                      |
| Fire Rating                        | UL type 1 or 2<br>IEC Class C |

## Mechanical Loading

|                                   |                                      |
|-----------------------------------|--------------------------------------|
| Front Side Maximum Static Loading | 5400Pa                               |
| Rear Side Maximum Static Loading  | 2400Pa                               |
| Hailstone Test                    | 25mm Hailstone at the speed of 23m/s |

## Temperature Ratings (STC)

|                                 |            |
|---------------------------------|------------|
| Temperature Coefficient of Isc  | +0.050%/°C |
| Temperature Coefficient of Voc  | -0.230%/°C |
| Temperature Coefficient of Pmax | -0.290%/°C |